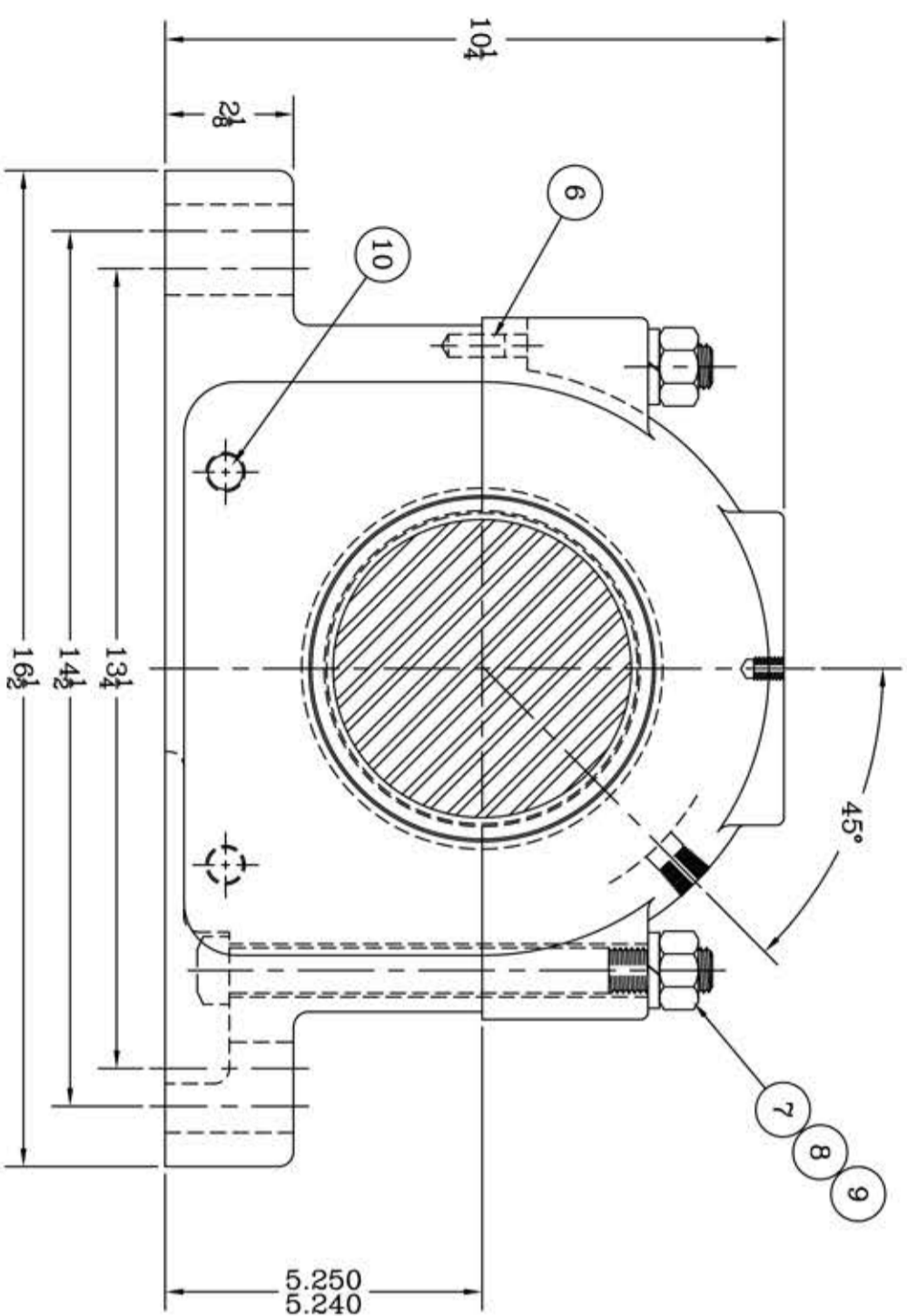
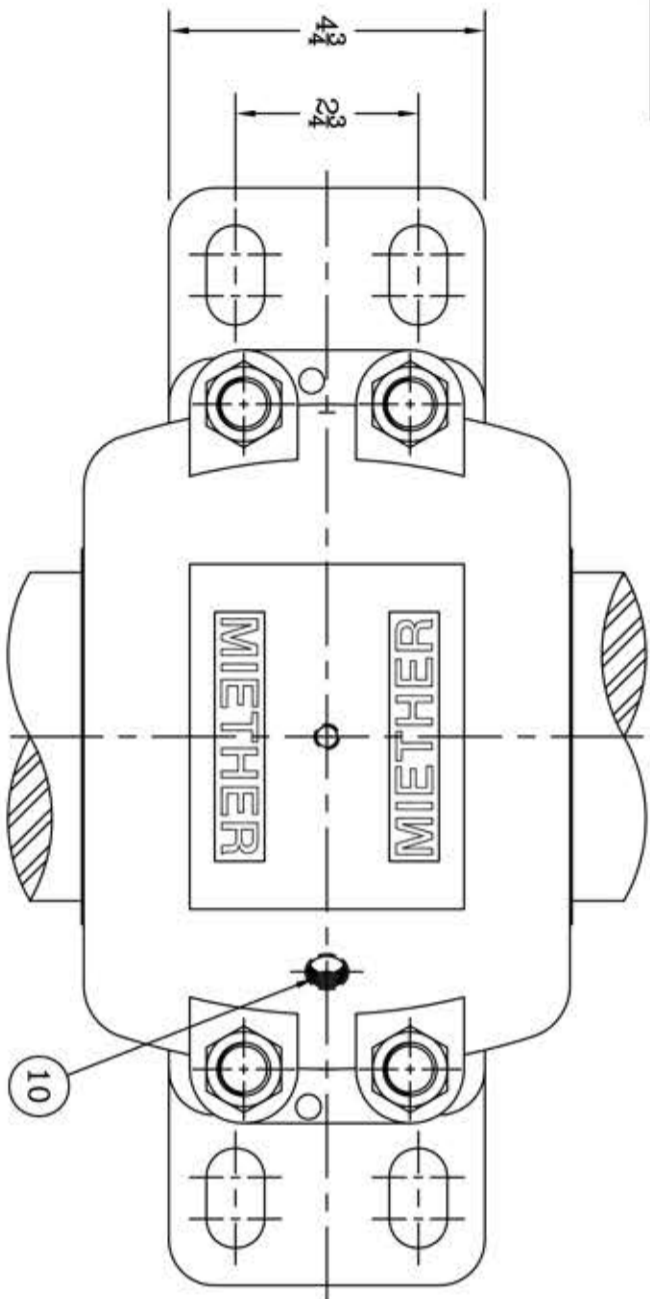
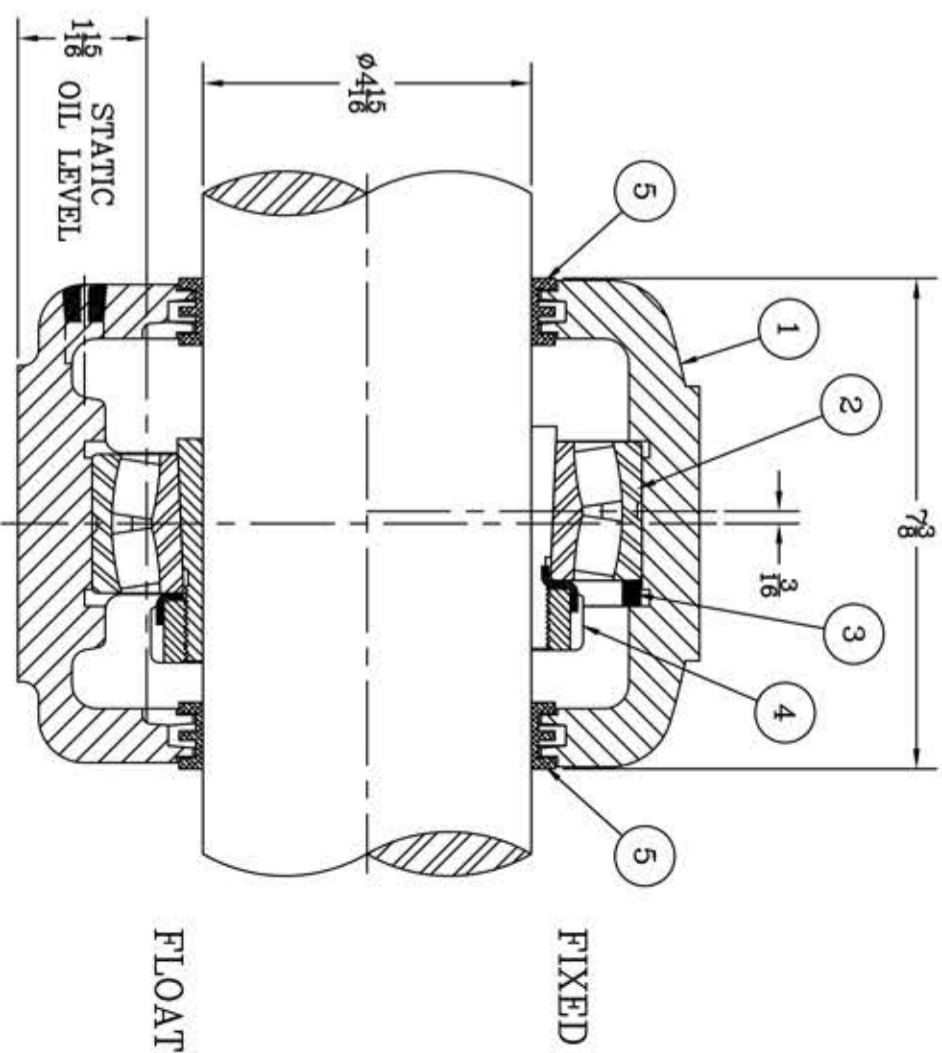


This drawing is the sole property of Miether Bearing Products and contains confidential and proprietary information. It is being provided to you for your use and may not be disclosed to any third party or used for any other purpose without Miether's prior written consent. The [materials] must be returned to the Company upon its demand. Your acceptance of these materials constitutes your acceptance of the foregoing terms.

C-12845



ITEM	DESCRIPTION	DETAIL	REQUIRED
1	HOUSING SAF-028 04-15	C-16509-R	1 1
2	SPHERICAL ROLLER BEARING	23028K/W-33	1 1
3	STABILIZING RING SR-0-20	A-11781	1 0
4	ADAPTER SNW-3028 04-15	24485	1 1
5	TRIPLE SEAL RING LER-122	A-10499	2 2
6	DOWEL	Ø8 x 1 1/8 LONG	2 2
7	CAP BOLT SQUARE HEAD	3/4-10 NC x 8" LONG	4 4
8	CAP BOLT HEX. NUT	3/4-10 NC	4 4
9	LOCKWASHER	3/4 SPLIT MED.	4 4
10	PIPE PLUG	3/8-18 NPT	3 3



REDRAWN ON
COMPUTER
RWB per KAB
3-31-04

REVISIONS

SYMBOL	DESCRIPTION
C	REVISION 16
D	REVISION 32
E	REVISION 63
F	REVISION 125
G	REVISION 250
J	REVISION 500
K	REVISION 1000

TOLERANCE: UNLESS OTHERWISE SPECIFIED
FRACTIONS +- 1/32"
DECIMALS +- .005"
CASTING +- 1/16"
WELD +- 1/16"
ANGLES +- 0°-30°

A.S.I. STANDARD FINISHES

AN ALCO INDUSTRIES COMPANY
BEARING PRODUCTS
ODESSA, TX. USA

SCALE HALF	ASSEMBLY NO.
DRAWN HF	DRAWING NO.
DATE 8/4/69	C-12845
CHK:	